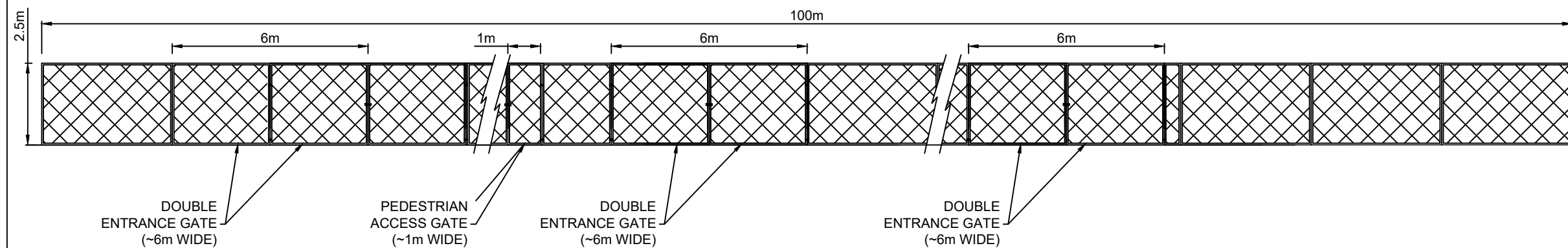




**CARNBUCK
WIND FARM**

FIGURE 1.13

**TEMPORARY
CONSTRUCTION
COMPOUND ELEVATION**



SECURITY FENCE ELEVATION
SCALE - 1:150

LAYOUT DWG N/A T-LAYOUT NO. N/A

DRAWING NUMBER 03090-RES-BLD-DR-CO-002 REV 1

SCALE - AS SHOWN @ A3

**ENVIRONMENTAL STATEMENT
2022**

THIS DRAWING IS THE PROPERTY OF RENEWABLE ENERGY SYSTEMS LTD. AND NO REPRODUCTION MAY BE MADE IN WHOLE OR IN PART WITHOUT PERMISSION